



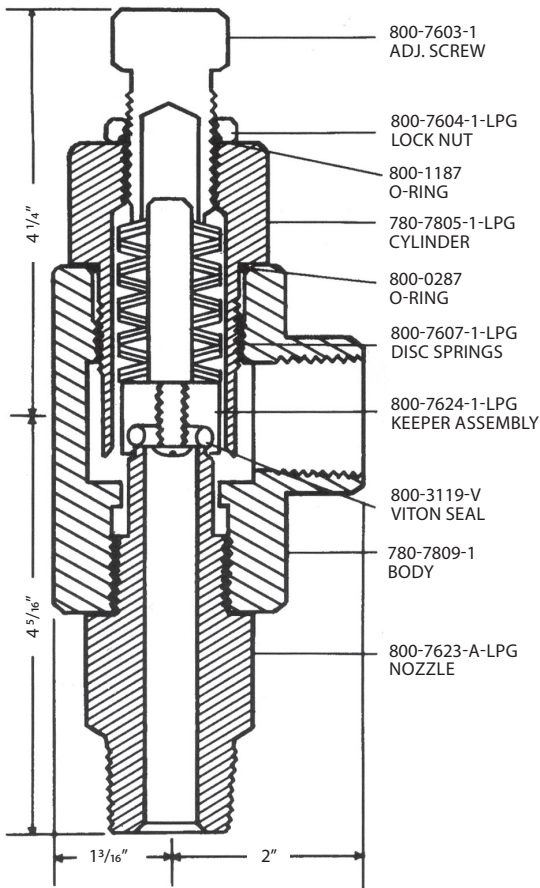
1" LPG RELIEF VALVE

780-7801-1-LPG

Pressure: 10-3000#

Volume: to 115 GPM

Liquified Petroleum Gas Service (Butane-Propane)



INLETS AVAILABLE: Male NPT 1", 3/4"

OUTLET: Female NPT 1"

TEMPERATURE RANGE: -65° to +300°F

BODY: (Specify)
 CARBON STEEL — Standard
 316 STAINLESS — Add "316" to Model #

TRIM: Stainless Steel

SEAL: Viton

SOFT VITON SEAL IS COMPOUNDED TO WITHSTAND MINUS -65 TEMPERATURES, INSURING THE VALVE WILL NOT VAPOR BLEED EITHER BEFORE OR AFTER RELIEF ACTION.

APPLICATION: Designed for use in butane/propane service where extremely difficult sealing and temperature conditions prevail. This valve will effect an absolute, weep-proof seal. For use with butane and propane lines, tanks, pumps and storage facilities.

FIELD REPAIRS AND PRESSURE SETTING ADJUSTMENTS ARE EASILY MADE ON-SITE WITHOUT SPECIAL TOOLS.

CARBON STEEL VALVE PART NUMBER	WORKING PRESSURE RANGE	VOLUME (GPM) AT 25% OVER SET PRESSURE	SPRING ARRANGEMENT AND QUANTITY	SEAT BORE	CAP COLOR CODE
780-7801-1-LPG-250	10-250#	10-50	Thin 1 X 1 (22)	9/16"	White
780-7801-1-LPG-900	250-900#	25-100	Reg 1 X 1 (19)	9/16"	Yellow
780-7801-1-LPG-3000	900-3000#	30-115	Reg 2 X 2 (22)	9/16"	Green

Add "316" to part number for 316 Stainless Steel valve.